

**AXOR Universal Circular  
Shelf 400**

Surfaces: **Brushed Black Chrome**    Article Number: **42844340**



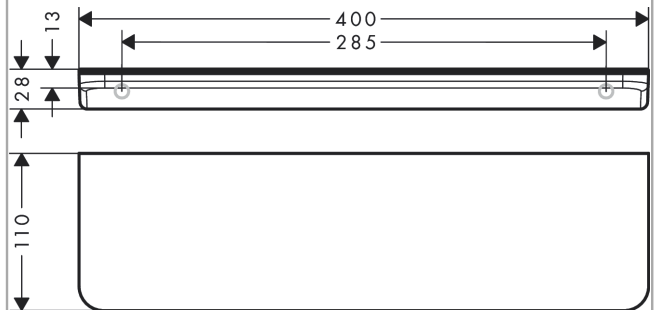
**product features**

- wall-mounted
- material frame: solid brass
- material shelf: metal
- length: 400 mm
- with mounting material
- concealed fastening
- drilling distance: 340 mm
- diameter drill hole: 6 mm
- suitable for shower

**Product image**



**Scale drawing**

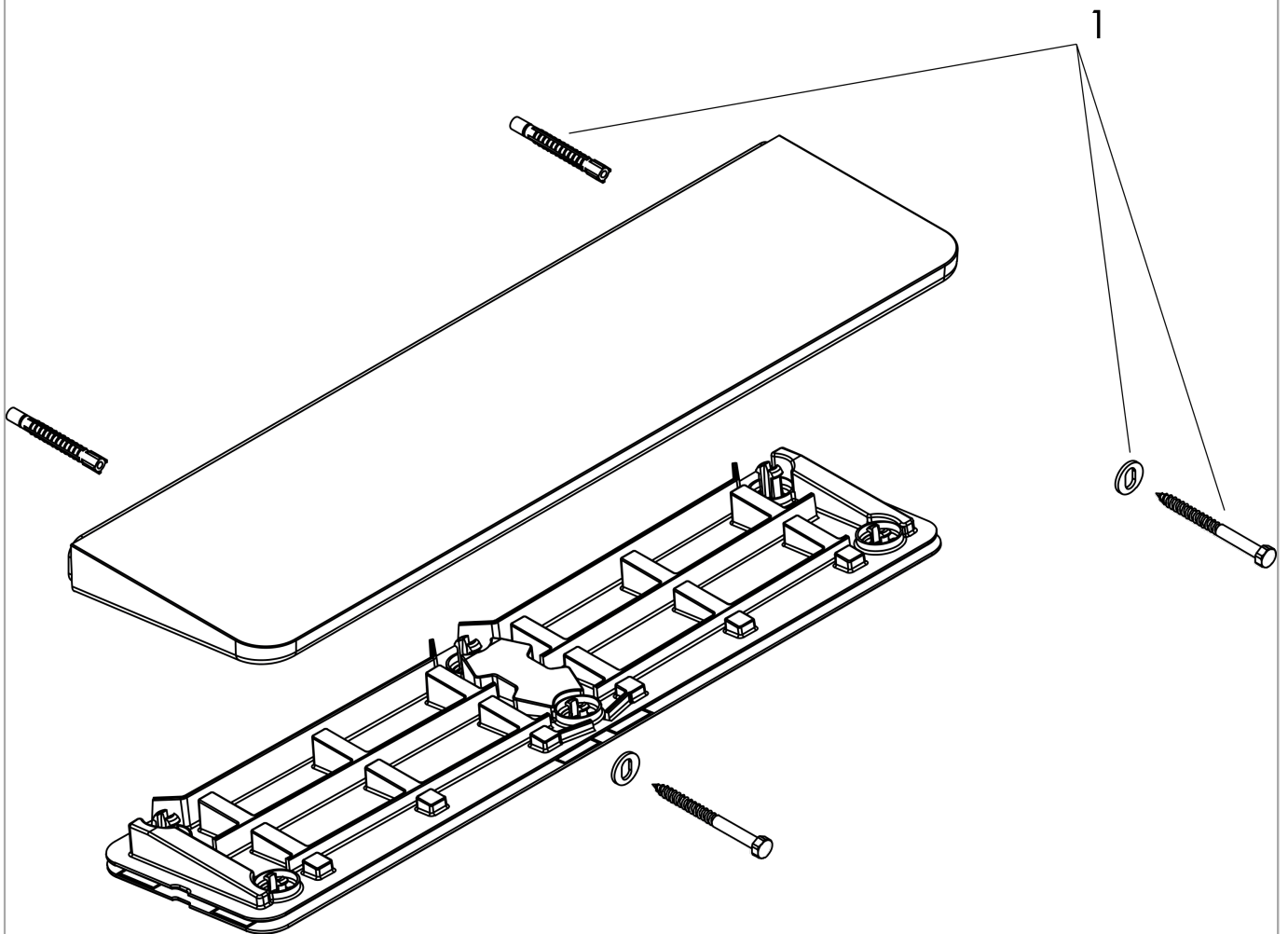


**AXOR Universal Circular  
Shelf 400**  
Surfaces: **Brushed Black Chrome**    Article Number: **42844340**



## Exploded Drawing

Year of production: >04/22



**AXOR Universal Circular****Shelf 400**Surfaces: **Brushed Black Chrome**Article Number: **42844340****Spare part list**

Year of production: &gt;04/22

<b>Pos.</b>		<b>Article Number</b>	<b>Price</b>	<b>PU</b>
1	mounting set	98716000	€ 13,92	1